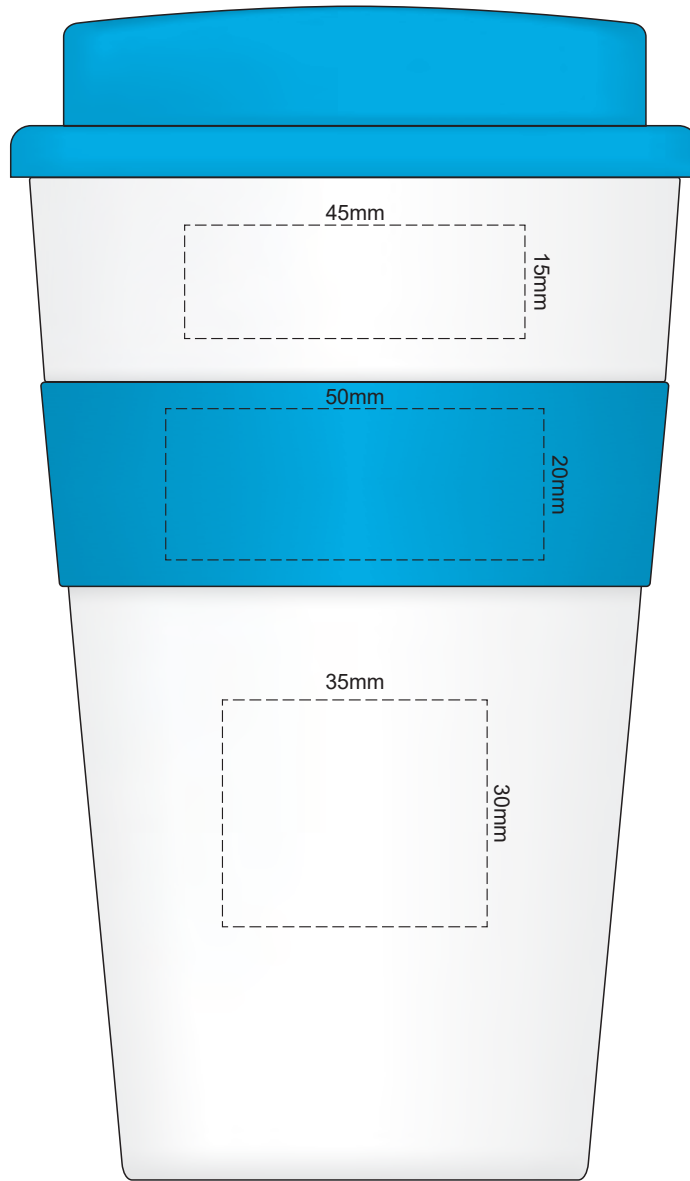
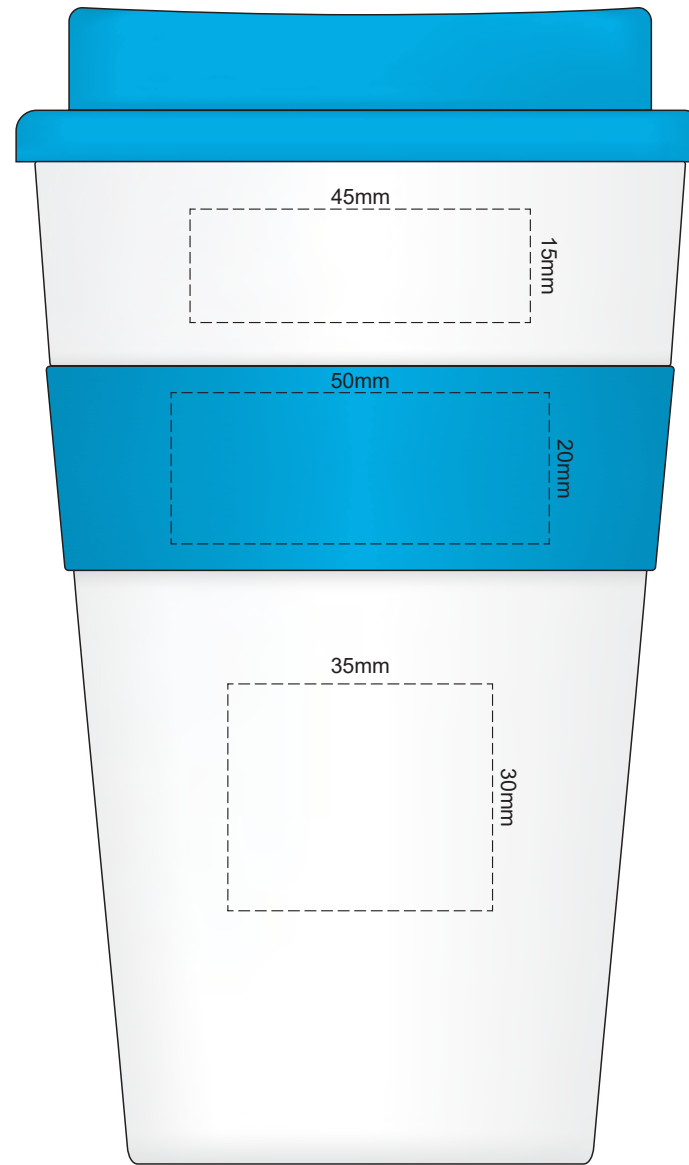


100% of Actual Size
Pad Print



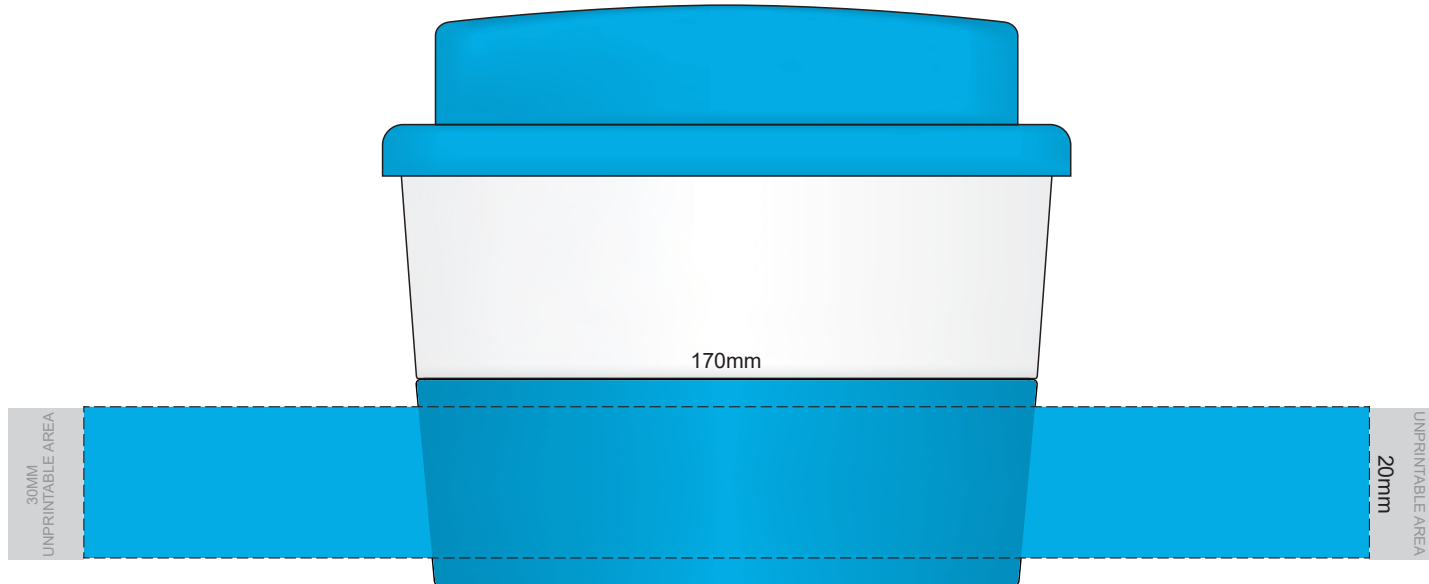
SIDE 1



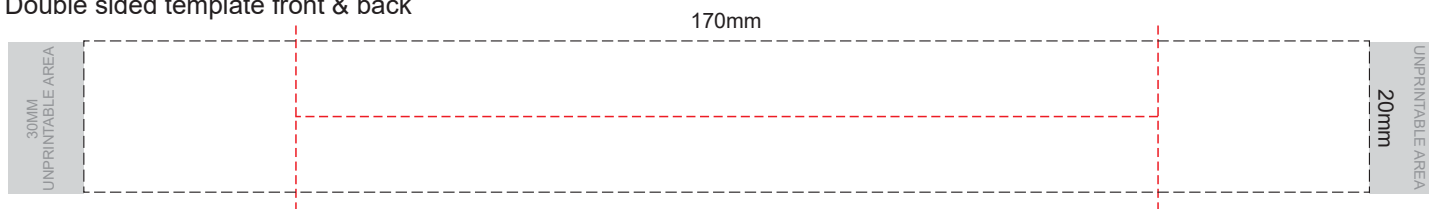
SIDE 2



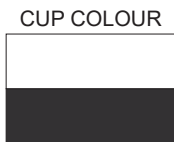
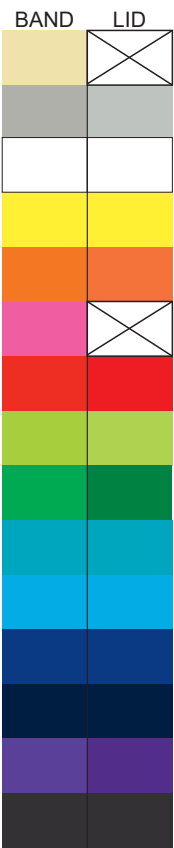
100% of Actual Size
Screen Print (one colour)



100% of Actual Size
Screen Print (one colour)
Double sided template front & back



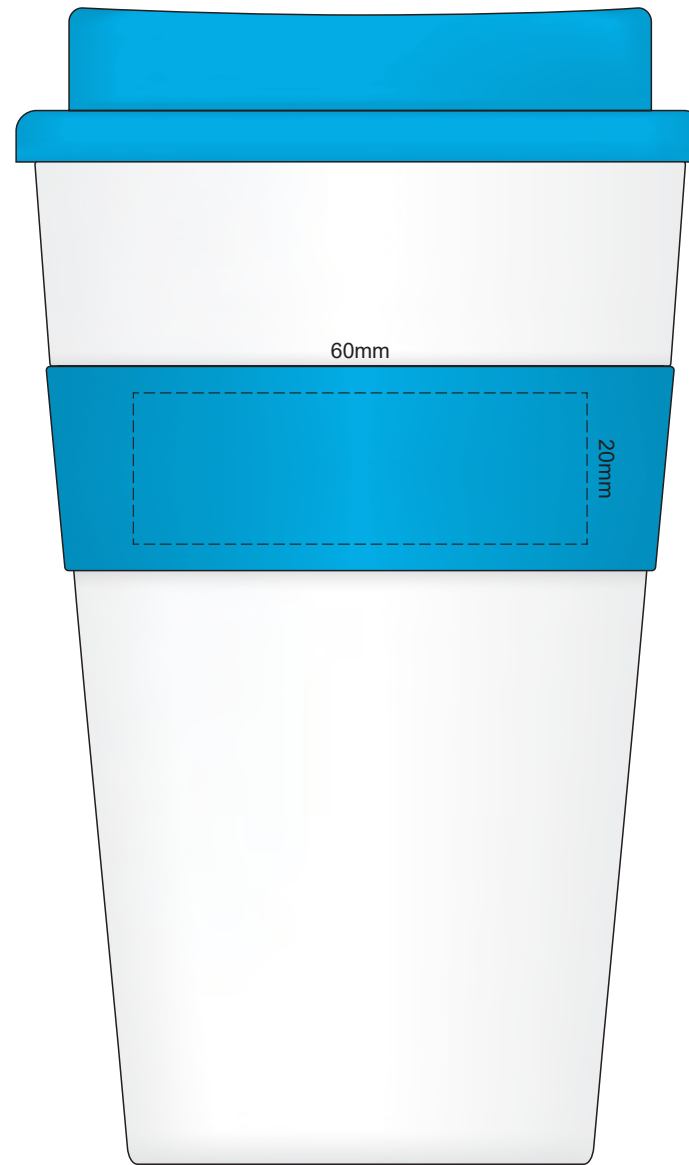
Red Line = Exact opposites of the product
(centre artwork to the red line)



100% of Actual Size
Silicone Digital Print
Debossed



SIDE 1

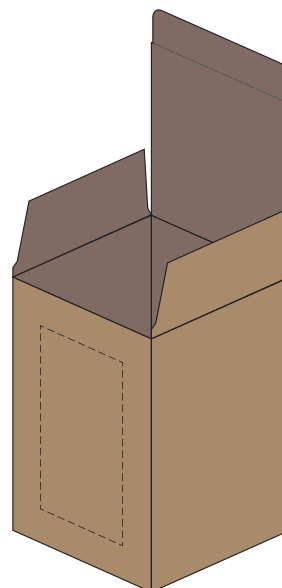
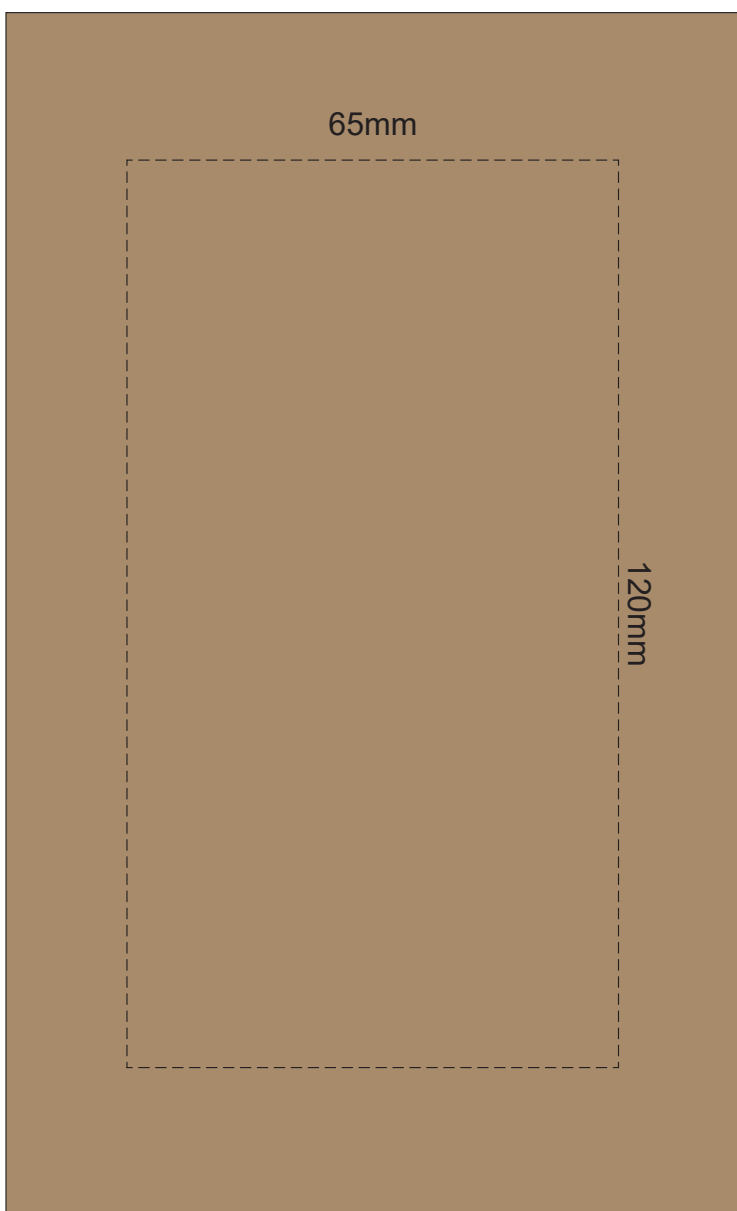


SIDE 2

BAND	LID

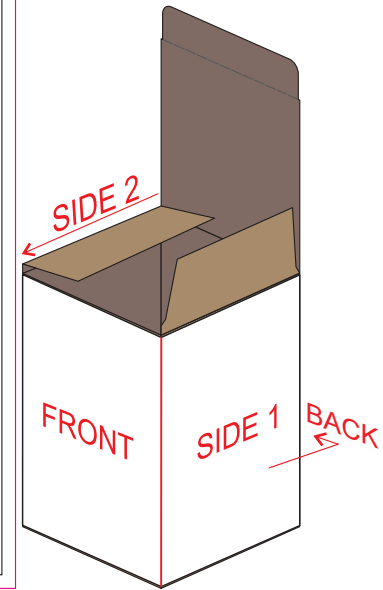
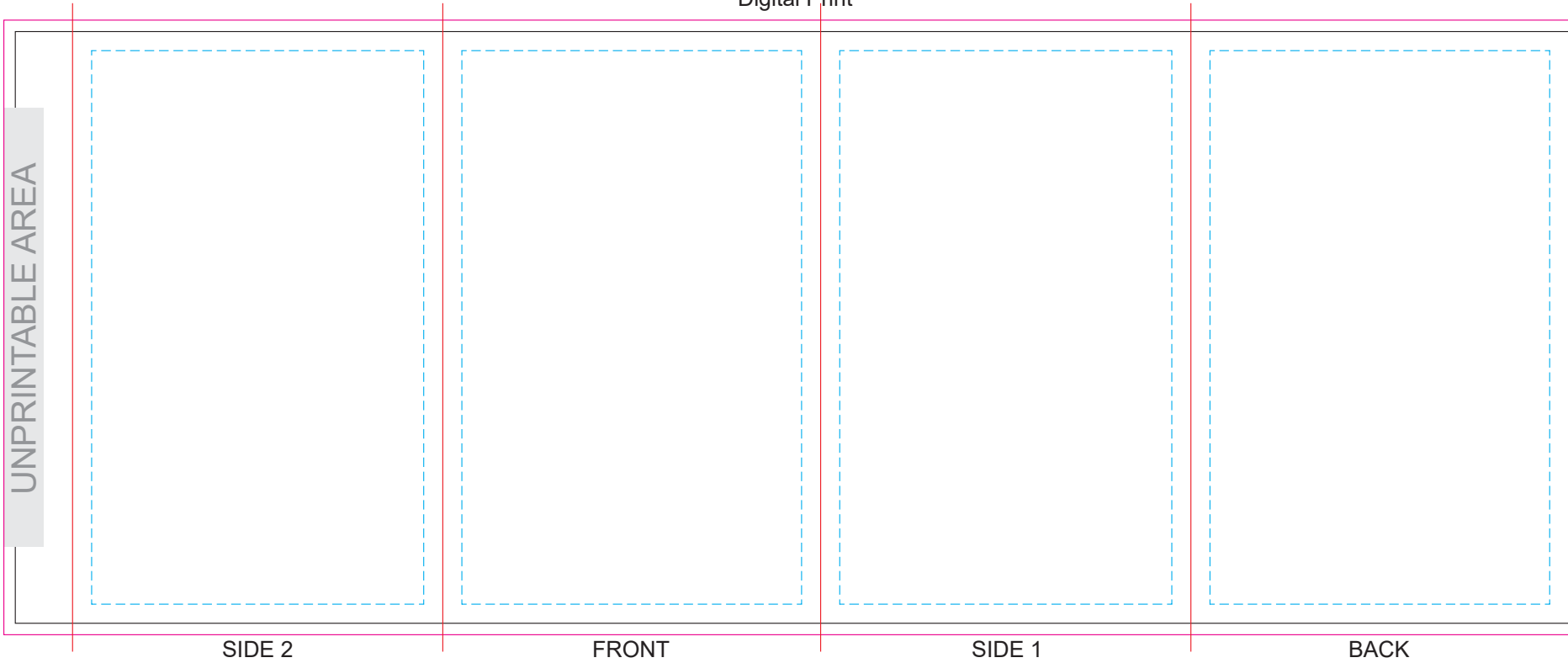
CUP COLOUR

100% of Actual Size
Digital Packaging Print
FRONT



Artwork will be printed directly onto the product via CMYK printing (no white), colours will not be vibrant due to white ink not being available for this process.

GIFT BOX SLEEVE
60% of Actual Size
Digital Print



Blue Line = The SIGNIFICANT PRINT AREA
(Keep all critical images & text within this box)
Black Line = Maximum print area
Pink Line = Bleed off to here
Red Line = Fold Line